



Lowboard in solid wood and blockboard, with structure and plinth in total black pigmented oak. With four doors in Briccola (with total black pigmented inserts) and protruding iron handles; inside three drawers assembled with dovetail joints, of which one with total black pigmented front.

**STANDARD COMPOSITION:** 4 DOORS - 2 ADJUSTABLE SHELVES - 3 DRAWERS

**ADDITIONAL ACCESSORIES:** SEE INTRODUCTION

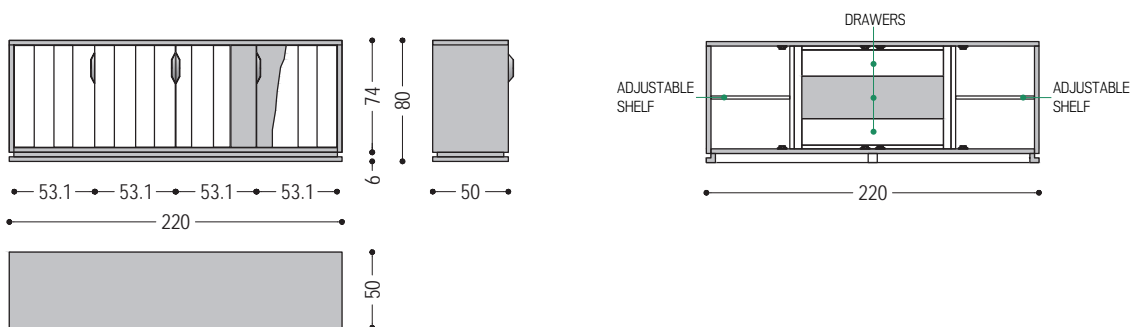
**STANDARD VERSION:** FRAME, PLINTH, DOORS AND DRAWERS' FRONTS TOTAL BLACK PIGMENTED OAK; DRAWERS WITH PUSH-PULL SYSTEM, ON METAL RUNNERS; IRON HANDLES LACQUERED RAL 7021 DARK GREY

CODE	SIZE	A6
FIRE LOW	W.220 x D.50 x H.80	■

**AVAILABLE FINISHES:**

**A6:** briccola

**N.B.:** UPON REQUEST INSIDE OF DRAWERS IN SCENTED CEDARWOOD, SAME PRICE



WOOD

A6



briccola