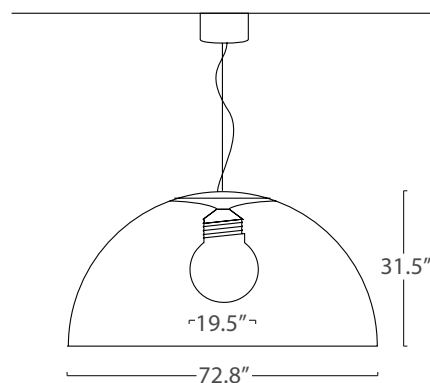


# B. DAVID LEVINE

L O S A N G E L E S

## Ociu

Design by Franco Zavarise



Indoor	3000K – 4000K
Suspension	Halogen 3000K
Methacrylate	A
Opal	D
Black	5x17W
Ø1.5" H 2.75"	205W
60 Kg	Direct
Available with LED source included	1,5 mt
5 LED Ø 39.3", dimmable on request	CE
Available with E27 lampholder	IP20
5 x 1350Lm	
>80	

A large-sized suspension lamp (185 cm. diameter) in opal white or black methacrylate with details in painted aluminium. In the inside the fitting has a polymethacrylate diffuser in a global shape cm.50. The inner finish is customizable in any color of the catalogue, as well as in golden/silver/copper leaf.